

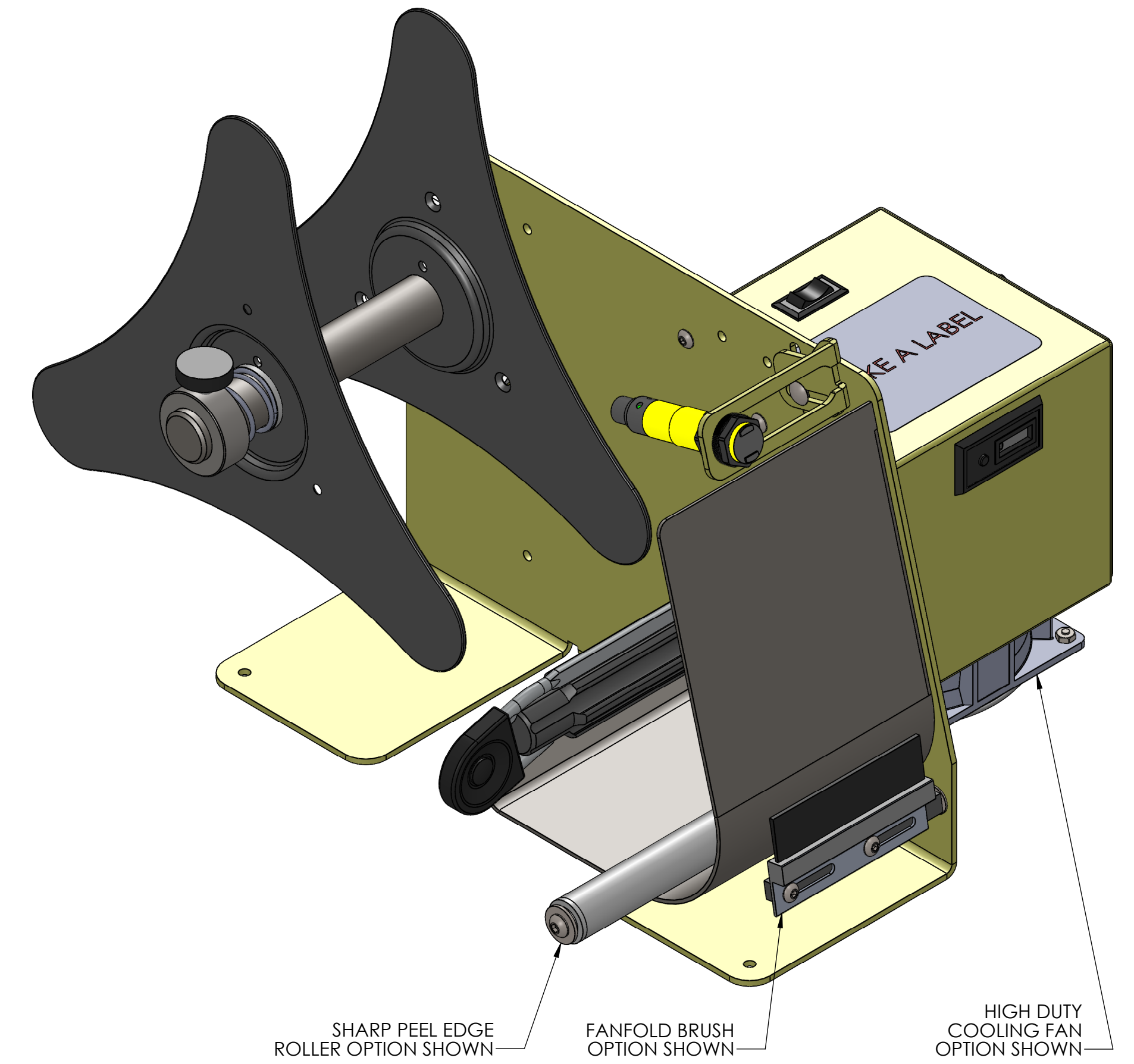
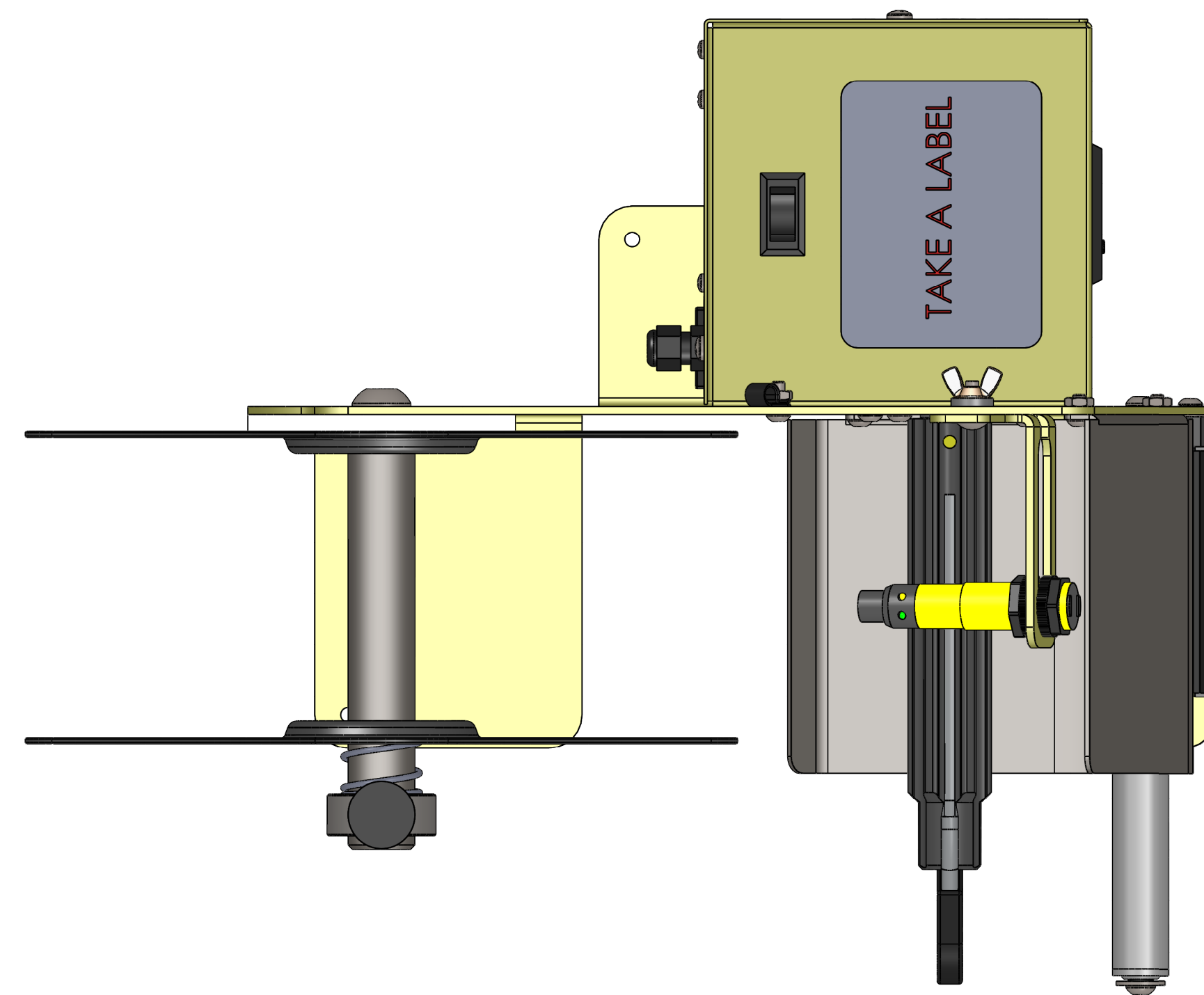
**GENERAL SPECIFICATIONS, MODEL 450:**

**COUNTRY OF ORIGIN: USA**

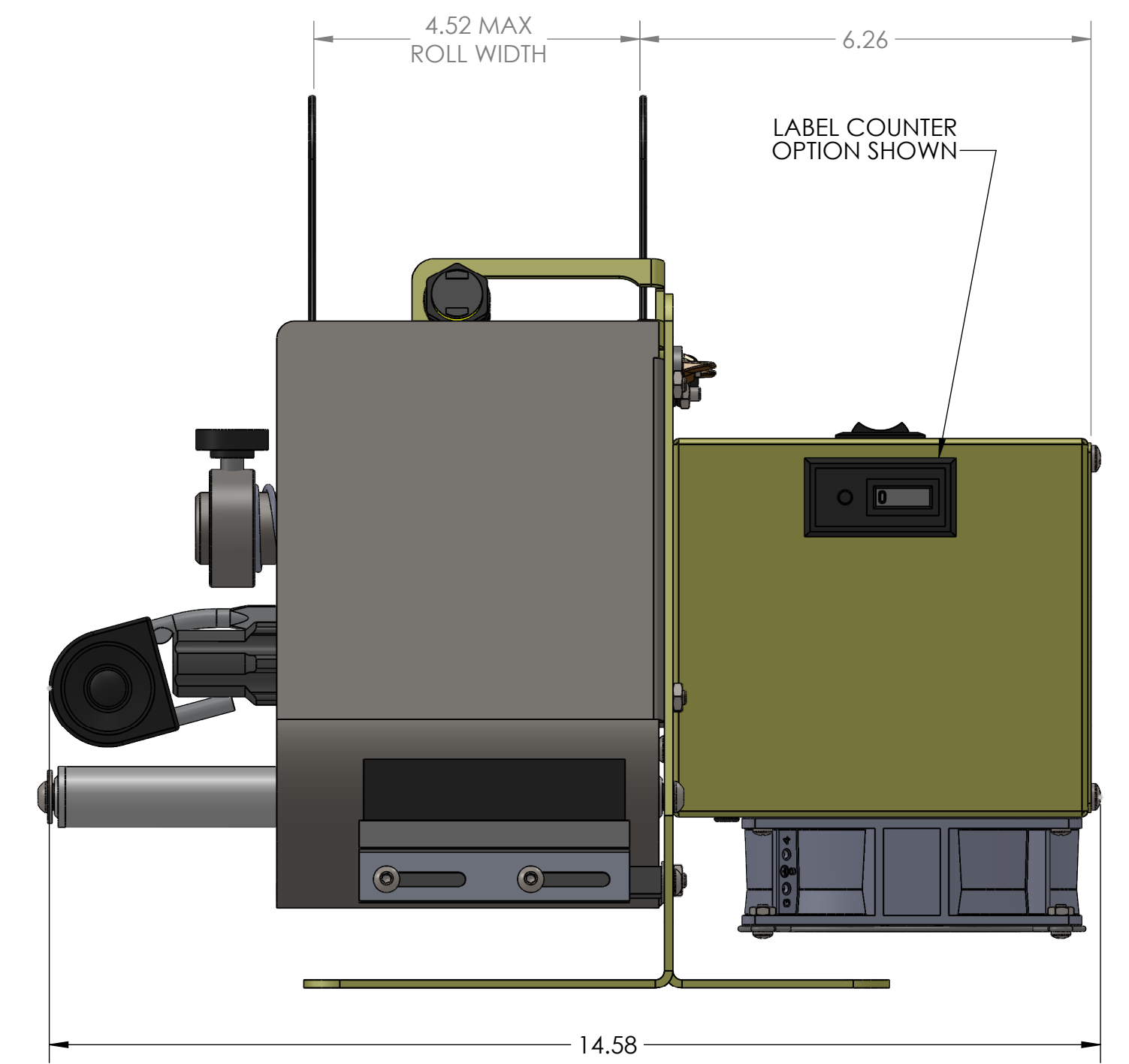
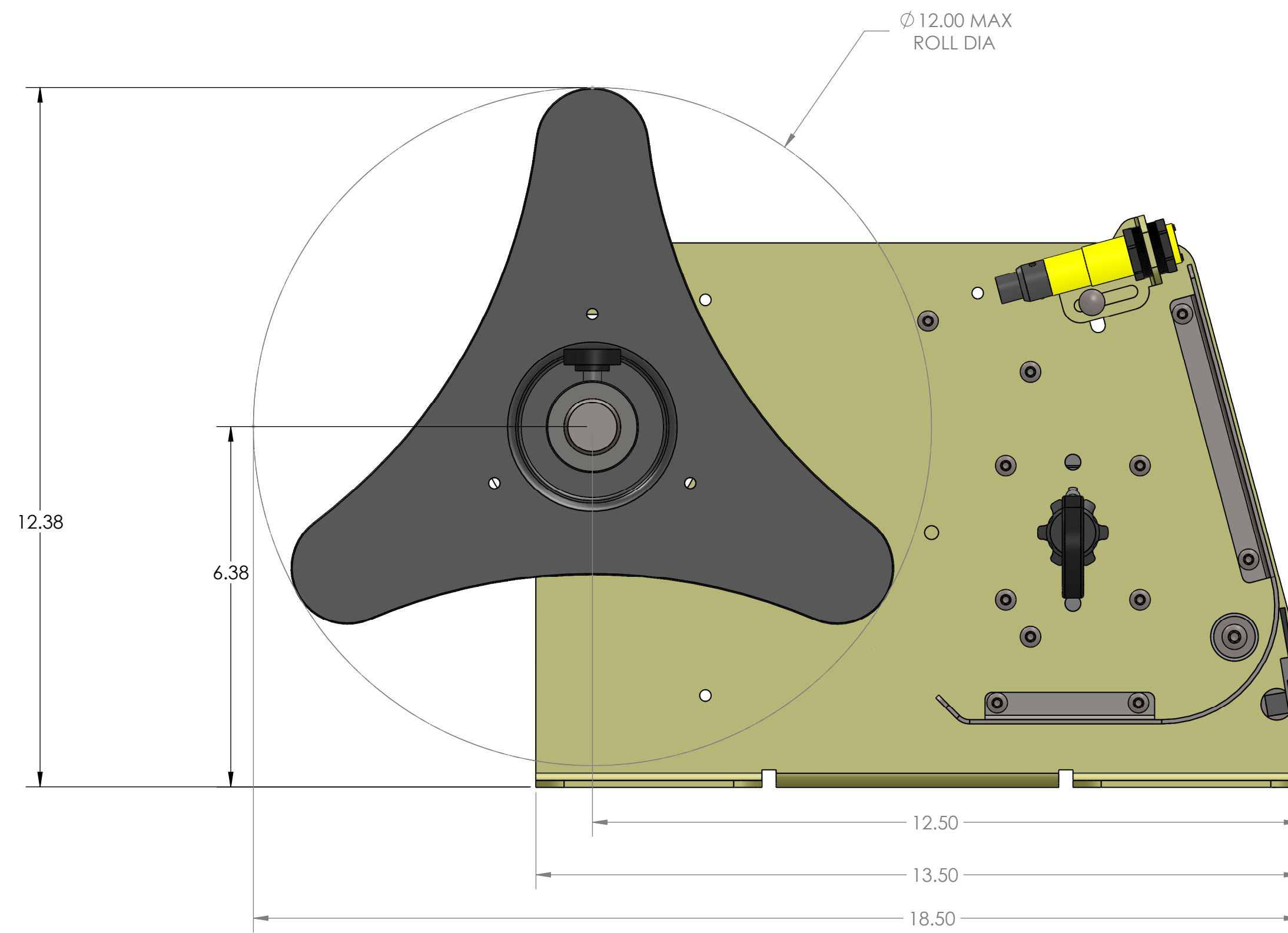
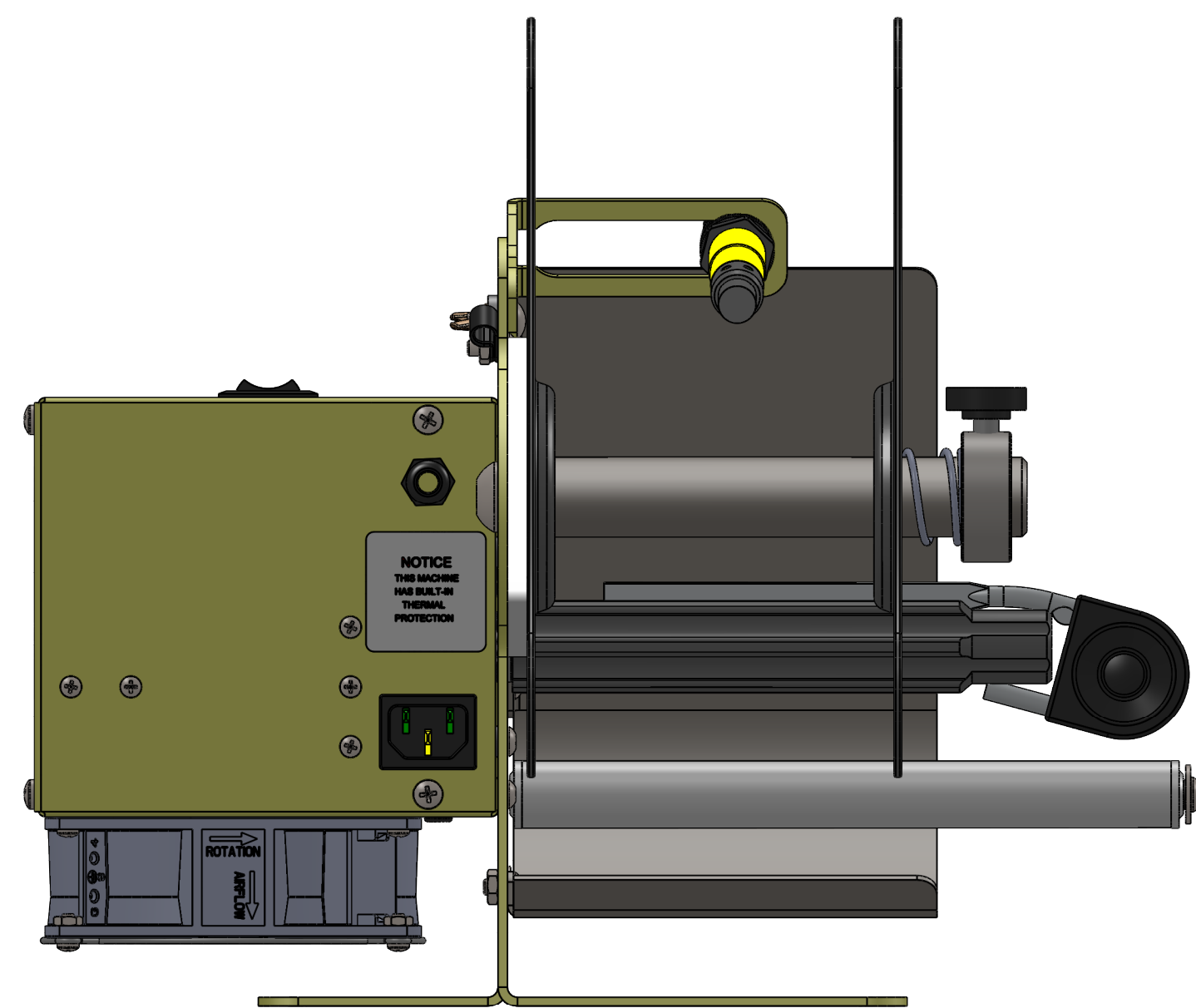
**SIZE (APPROX) 14.58W X 12.38H X 18.50 D**

**SHIPPING WEIGHT: 24 LBS (10.9 KG)**

**ELECTRICAL: 110/120VAC, 50/60HZ, 4 AMP FUSE**



SHARP PEEL EDGE ROLLER OPTION SHOWN  
 FANFOLD BRUSH OPTION SHOWN  
 HIGH DUTY COOLING FAN OPTION SHOWN



**PROPRIETARY AND CONFIDENTIAL**  
 THE INFORMATION CONTAINED IN THIS DRAWING IS THE SOLE PROPERTY OF TAKE-A-LABEL, INC.  
 ANY REPRODUCTION IN PART OR AS A WHOLE WITHOUT THE WRITTEN PERMISSION OF TAKE-A-LABEL, INC. IS PROHIBITED.

UNLESS OTHERWISE SPECIFIED:		NAME	DATE	TAKE-A-LABEL, INC. NUNICA, MI WWW.TAKE-A-LABEL.COM
DIMENSIONS ARE IN INCHES		RJS	8/28/18	
TOLERANCES:		DRAWN		TITLE:
FRACTIONAL ±1/32		CHECKED		
ANGULAR: MACH±0.1 BEND ±0.5		ENG APPR.		
TWO PLACE DECIMAL ±0.015		MFG APPR.		
THREE PLACE DECIMAL ±0.005		G.A.		
INTERPRET GEOMETRIC TOLERANCING PER:		COMMENTS:		
MATERIAL				
REVISION #	DETAIL	FINISH		
APPLICATION				

SIZE DWG. NO. REV  
**D** TAL 450 Label Dispenser **0**  
 outline only without  
 microswitch option  
 SCALE: 1:2 WEIGHT: SHEET 1 OF 1